

Table de nomenclature			
REP.	DESIGNATION (FR)	DESIGNATION (ENGLISH)	QTE
1	VENTILATEUR DU DEPOUSSIEREUR	DUST COLLECTOR FAN	1
2	BOMBONNE DE DECOLMATAGE	UNCLOGGING DEVICE	1
3	CARTOUCHE FILTRANTE	FILTERING CARTRIDGE	1
4	CORPS VIDE SAC	SACKTIP BODY	1
5	SYSTEME PNEUMATIQUE DE DECOUPE SAC	PNEUMATIC CUTTING SYSTEM SACKS	1
6	FILTRE REGULATEUR PNEUMATIQUE	PNEUMATIC REGULATOR FILTER	1
7	VANNE DE VIDANGE PRODUIT	OUTLET PRODUCT VALVE	1
8	SAUTERELLE A CROCHET	CLAMP LEVER	2
9	PORTE VIDE SAC	SACKTIP DOOR	1
10	COMPACTEUR DE SAC	SACK COMPACTOR	1
11	COUTEAU	KNIFE	1
12	BOUTON POUR DECOUPE SAC	BUTTON FOR CUTTING SACKS	2
13	VIBREUR PNEUMATIQUE	PNEUMATIC VIBRATOR	2

DIMENSION : [inch] / mm PLAN D'INFORMATION / INFORMATION DRAWING

PALAMATIC N'AYANT PAS EN CHARGE LE GENIE CIVIL, IL EST DE VOTRE RESPONSABILITE DE VOUS ASSURER DE LA RESISTANCE, DE LA STABILITE ET DE LA PLANEITE DE VOS SUPPORT OU SOLS RECEVANTS NOS EQUIPEMENTS, AUX DIFFERENTS EFFORTS ET CONTRAINTES AUQUELS ILS POURAIENT ETRE SOUMIS.

CIVIL ENGINEERING WORKS ARE NOT INCLUDED IN PALAMATIC'S SCOPE OF SUPPLY. IT IS THE CLIENT'S RESPONSIBILITY TO ENSURE THE STABILITY, RESISTANCE AND FLATNESS OF THE STRUCTURES AND TERRAIN ON WHICH, PALAMATIC'S EQUIPMENT WILL BE MOUNTED. THESE STRUCTURES AND TERRAIN MUST BE ABLE TO WITHSTAND THE DIFFERENT LOADS AND CONSTRAINTS BROUGHT ON BY THESE EQUIPMENTS

CE PLAN EST LA PROPRIETE DE LA SOCIETE PALAMATIC - IL NE PEUT ETRE COPIE OU UTILISE SANS AUTORISATION

THIS DRAWING IS THE PROPERTY OF THE COMPANY PALAMATIC - IT CANNOT BE COPIED OR USED WITHOUT AUTHORIZATION

Rue de l'Écolais 02 90 56 20 61  
Z.A. de la Croix Rouge  
35530 BRECE  
CYRIL.PICHARD@PALAMATIC.FR

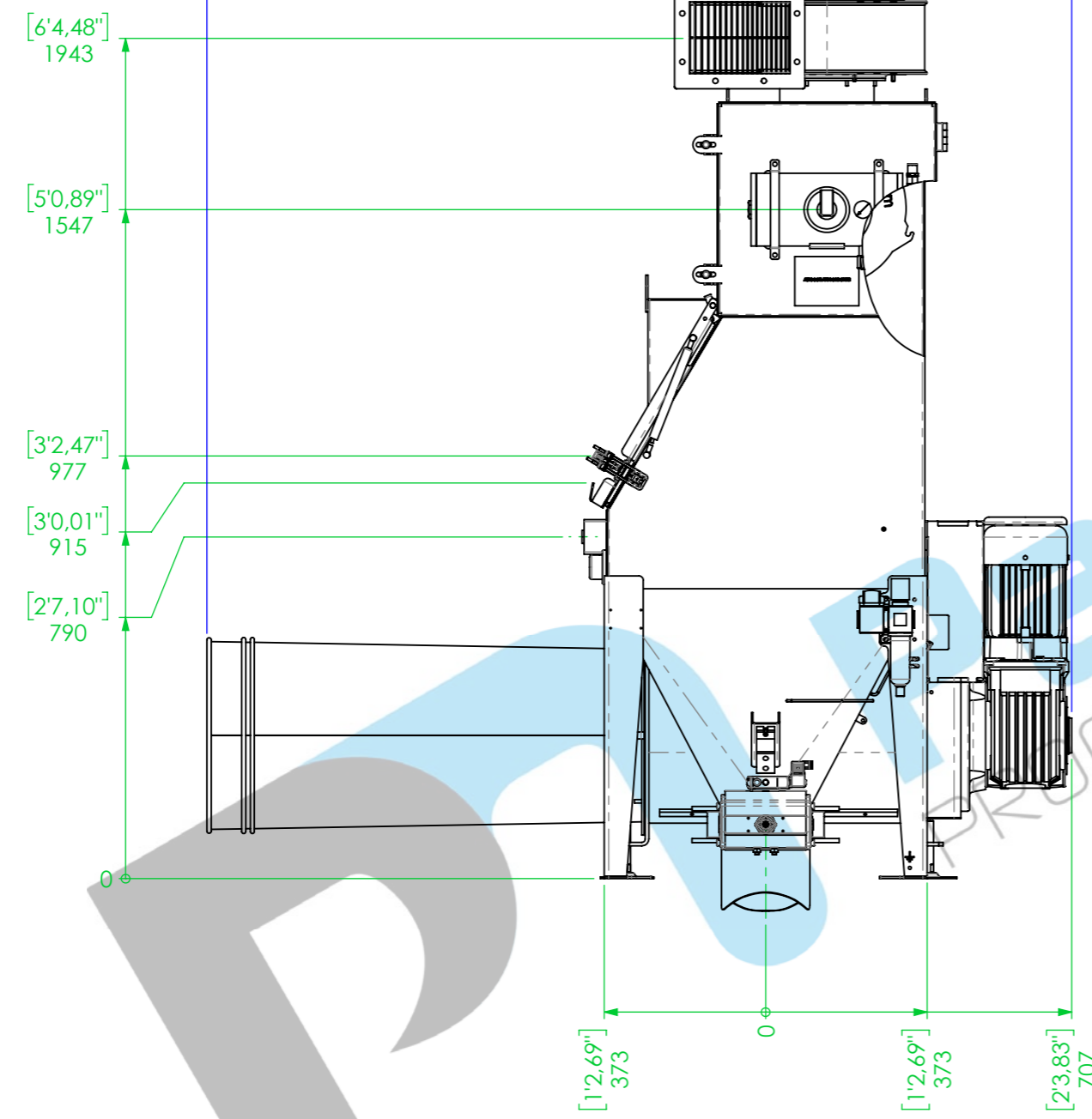


Designation / Name :		VIDE SAC DEPOUSSIERE		Dessiné par / Drawn by :		PICHARD	
Description :		SACKTIP ERGOTIP DEP		Ref. Dossier / Project reference :			
25-03-19	A	DIFFUSION	CYP	Format / Echelle / Scale :	A3	1:15	N° Plan / Drawing number :
DATE	REV	OBSERVATION	REVISER / REVISER			REV: A 1/3	

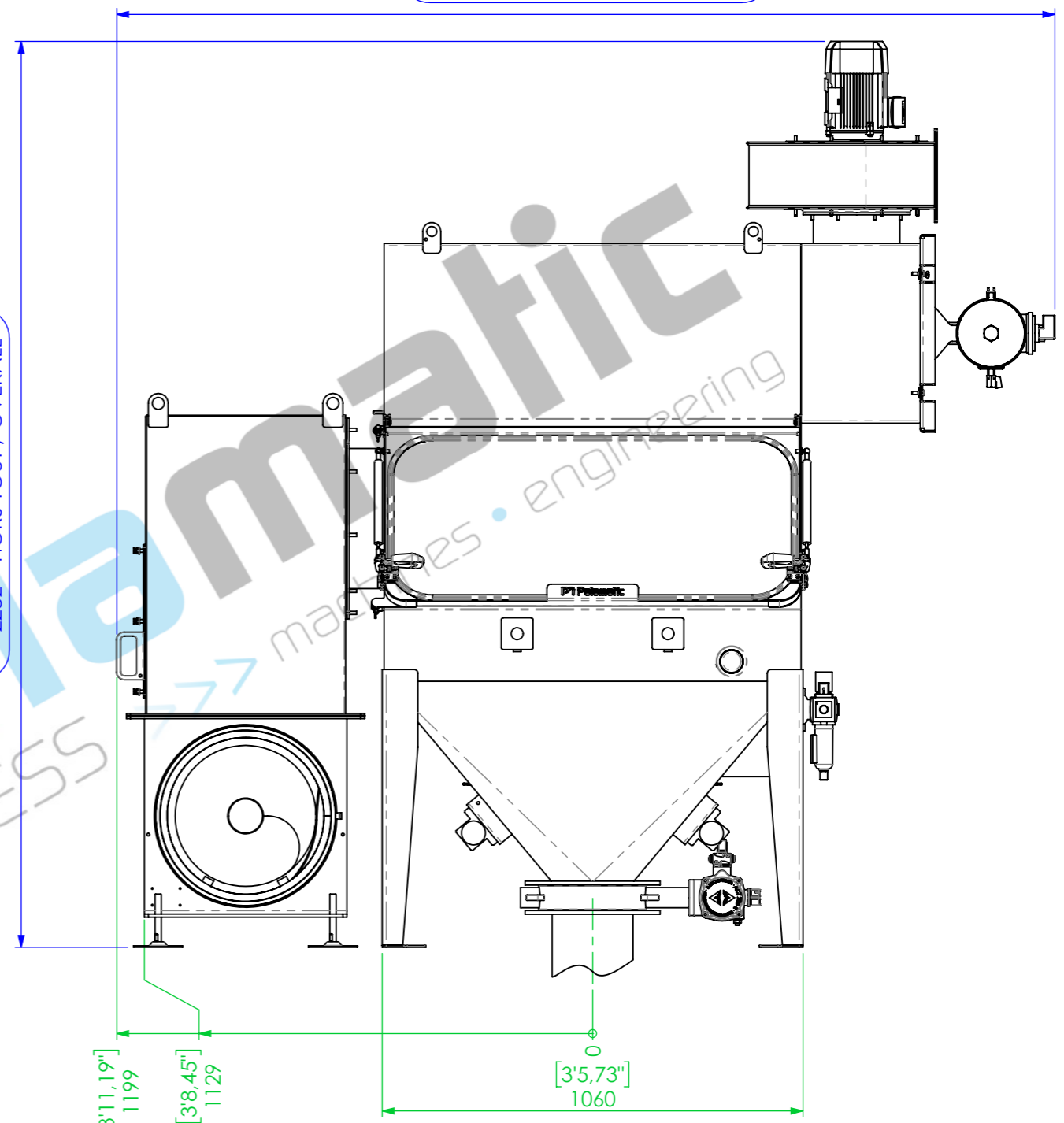
# SACKTIP FERME / CLOSED

[6'6.66"]  
1998 HORS TOUT / OVERALL

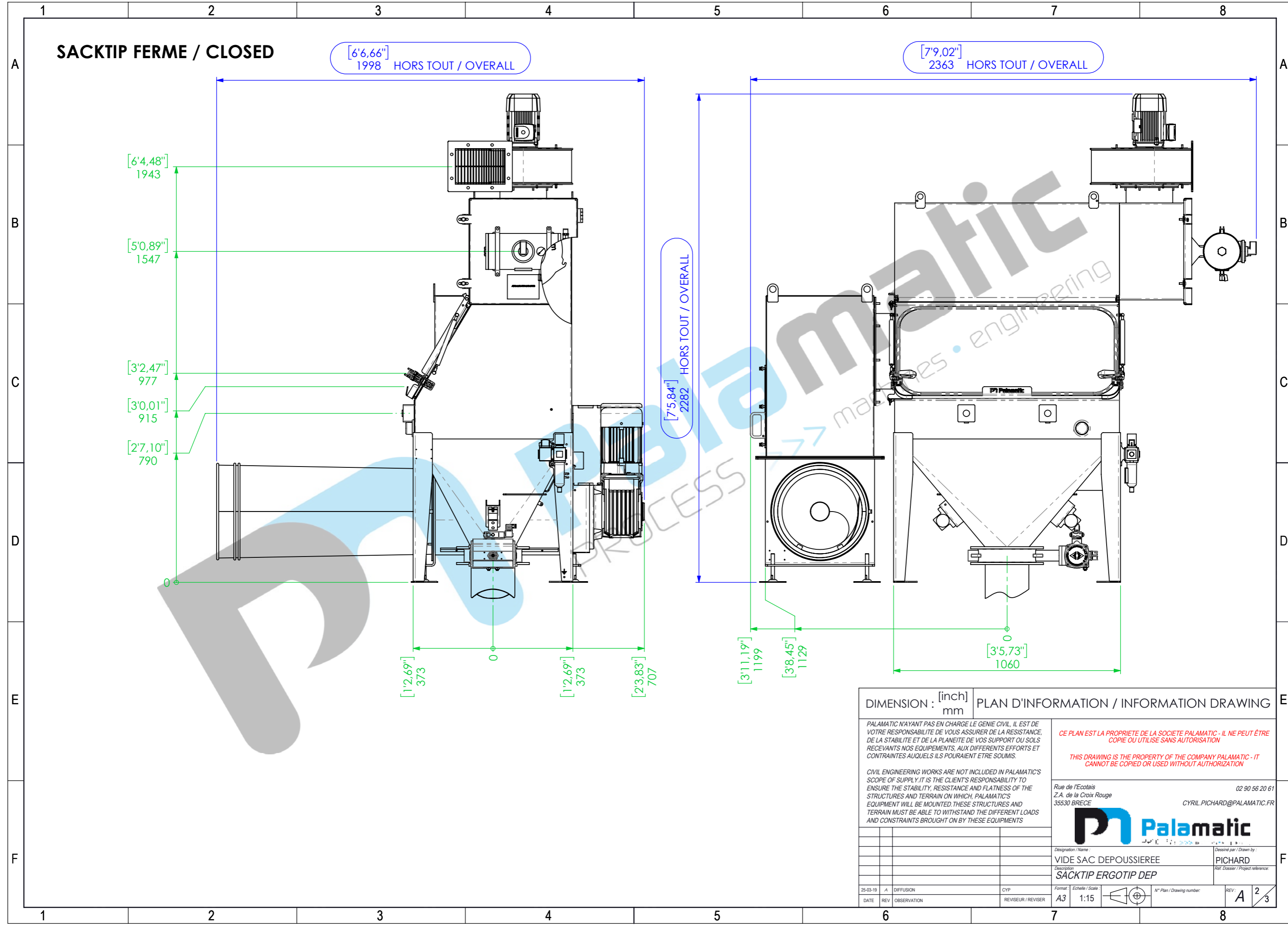
[7'9.02"]  
2363 HORS TOUT / OVERALL



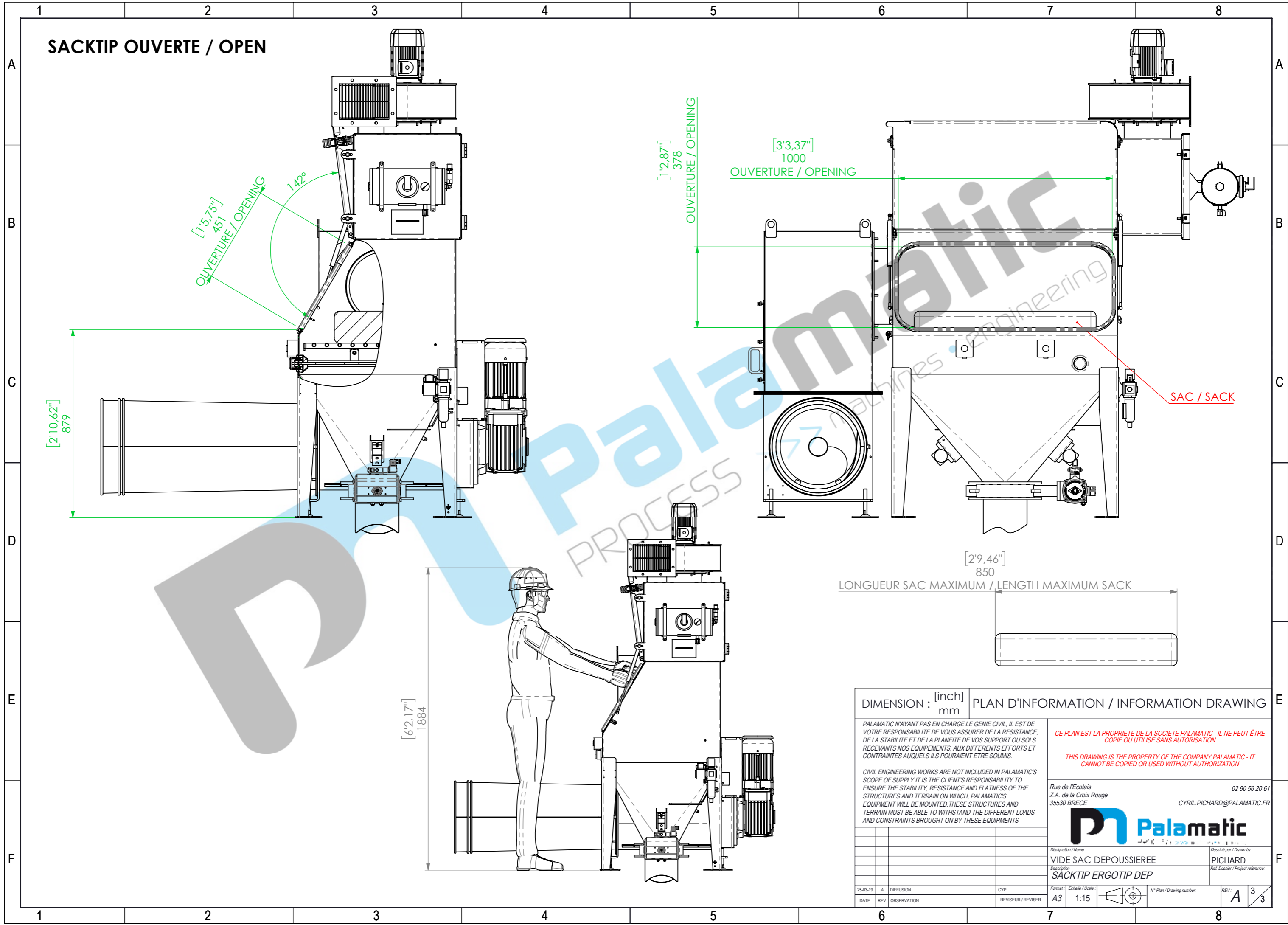
[7'5.84"]  
2282 HORS TOUT / OVERALL



DIMENSION : [inch] mm		PLAN D'INFORMATION / INFORMATION DRAWING	
<p>PALAMATIC N'AYANT PAS EN CHARGE LE GENIE CIVIL, IL EST DE VOTRE RESPONSABILITE DE VOUS ASSURER DE LA RESISTANCE, DE LA STABILITE ET DE LA PLANEITE DE VOS SUPPORT OU SOLS RECEVANTS NOS EQUIPEMENTS, AUX DIFFERENTS EFFORTS ET CONTRAINTES AUQUELS ILS POURAIENT ETRE SOUMIS.</p> <p>CIVIL ENGINEERING WORKS ARE NOT INCLUDED IN PALAMATIC'S SCOPE OF SUPPLY. IT IS THE CLIENT'S RESPONSIBILITY TO ENSURE THE STABILITY, RESISTANCE AND FLATNESS OF THE STRUCTURES AND TERRAIN ON WHICH, PALAMATIC'S EQUIPMENT WILL BE MOUNTED. THESE STRUCTURES AND TERRAIN MUST BE ABLE TO WITHSTAND THE DIFFERENT LOADS AND CONSTRAINTS BROUGHT ON BY THESE EQUIPMENTS</p>		<p>CE PLAN EST LA PROPRIETE DE LA SOCIETE PALAMATIC - IL NE PEUT ETRE COPIE OU UTILISE SANS AUTORISATION</p> <p>THIS DRAWING IS THE PROPERTY OF THE COMPANY PALAMATIC - IT CANNOT BE COPIED OR USED WITHOUT AUTHORIZATION</p>	
<p>Rue de l'Ecolais Z.A. de la Croix Rouge 35530 BRECE</p>		<p>02 90 56 20 61 CYRIL.PICHARD@PALAMATIC.FR</p>	
<p>Designation / Name : VIDE SAC DEPOUSSIEREE</p>		<p>Dessiné par / Drawn by : PICHARD</p>	
<p>Description : SACKTIP ERGOTIP DEP</p>		<p>Ref. Dossier / Project reference:</p>	
25-03-19	A	DIFFUSION	CYP
DATE	REV	OBSERVATION	REVISER / REVISER
Format : A3		Echelle / Scale : 1:15	
N° Plan / Drawing number :		REV: A 2 / 3	



**SACKTIP OUVERTE / OPEN**



DIMENSION : [inch] mm		PLAN D'INFORMATION / INFORMATION DRAWING	
<p>PALAMATIC N'AYANT PAS EN CHARGE LE GENIE CIVIL, IL EST DE VOTRE RESPONSABILITE DE VOUS ASSURER DE LA RESISTANCE, DE LA STABILITE ET DE LA PLANEITE DE VOS SUPPORT OU SOLS RECEVANTS NOS EQUIPEMENTS, AUX DIFFERENTS EFFORTS ET CONTRAINTES AUQUELS ILS POURAIENT ETRE SOUMIS.</p> <p>CIVIL ENGINEERING WORKS ARE NOT INCLUDED IN PALAMATIC'S SCOPE OF SUPPLY. IT IS THE CLIENT'S RESPONSIBILITY TO ENSURE THE STABILITY, RESISTANCE AND FLATNESS OF THE STRUCTURES AND TERRAIN ON WHICH, PALAMATIC'S EQUIPMENT WILL BE MOUNTED. THESE STRUCTURES AND TERRAIN MUST BE ABLE TO WITHSTAND THE DIFFERENT LOADS AND CONSTRAINTS BROUGHT ON BY THESE EQUIPMENTS</p>		<p><b>CE PLAN EST LA PROPRIETE DE LA SOCIETE PALAMATIC - IL NE PEUT ÊTRE COPIÉ OU UTILISÉ SANS AUTORISATION</b></p> <p><b>THIS DRAWING IS THE PROPERTY OF THE COMPANY PALAMATIC - IT CANNOT BE COPIED OR USED WITHOUT AUTHORIZATION</b></p>	
<p>Rue de l'Écolais Z.A. de la Croix Rouge 35530 BRECE</p>		<p>02 90 56 20 61 CYRIL.PICHARD@PALAMATIC.FR</p>	
<p>Designation / Name : <b>VIDE SAC DEPOUSSIEREE</b></p> <p>Description : <b>SACKTIP ERGOTIP DEP</b></p>		<p>Dessiné par / Drawn by : <b>PICHARD</b></p> <p>Ref. Dossier / Project reference:</p>	
25-03-19	A	DIFFUSION	CYP
DATE	REV	OBSERVATION	REVISER / REVISER
Format / Echelle / Scale : A3 1:15		N° Plan / Drawing number : REV: A 3 / 3	