

FILL

DISCHARGE

CONVEY

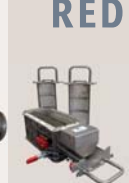
DOSE

MIX

SIFT

REDUCE

STORE



BIG BAG & OCTABIN FILLING

SACK, DRUM & CARDBOARD BOX FILLING

OCTABIN & BIG BAG DISCHARGING

SACK DISCHARGING

DRUM DISCHARGING

FLOW & CONNECTION

DENSE PHASE VACUUM PNEUMATIC CONVEYING CYCLONE

DILUTE PHASE PRESSURE PNEUMATIC CONVEYING CYCLOFILTER

DENSE PHASE PRESSURE PNEUMATIC CONVEYING

MECHANICAL CONVEYING

DOSING

HORIZONTAL MIXER

VERTICAL MIXER

VIBRATORY SCREENER

CENTRIFUGAL SCREENER

LUMP BREAKER GRANULATOR

GRINDING MILL

CONTAINER

04 BIG BAG FILLING

- FlowMat® 01
- FlowMat® 02
- FlowMat® 03
- FlowMat® 04
- FlowMat® 05-TE
- FlowMat® 05-VH
- FlowMat® 06
- FlowMat® 07
- FlowMat® 08
- FlowMat® 09
- FlowMat® 10
- Vibrating table TV01

16 SACK FILLING

- PalPack® 01
- ## 17 CARDBOARD BOX FILLING
- PalBox® 01

18 DRUM FILLING

- PalDrum® 01
- PalDrum® 02
- PalDrum® 03

14 OCTABIN FILLING

- FlowMat® Octabin OC1
- FlowMat® Octabin OC2
- FlowMat® Octabin OC3

24 BIG BAG DISCHARGING

- EasyFlow® EF01-125
- EasyFlow® EF01-150
- EasyFlow® EF02-125
- EasyFlow® EF02-150
- EasyFlow® EF03-125
- EasyFlow® EF03-150
- EasyFlow® EF11-125
- EasyFlow® EF11-150
- EasyFlow® EF12-125
- EasyFlow® EF12-150
- EasyFlow® EF13-125
- EasyFlow® EF13-150
- EasyFlow® EF21-125
- EasyFlow® EF21-150
- EasyFlow® EF22-125
- EasyFlow® EF22-150
- EasyFlow® EF23-125
- EasyFlow® EF23-150
- EasyFlow® EF300
- EasyFlow® EF200
- EasyFlow® Flex 01

38 SACK & BIG BAG DISCHARGING

- DuoPal® DP01-125/150
- DuoPal® DP02-125/150
- DuoPal® DP03-125/150
- DuoPal® DP11-125/150
- DuoPal® DP12-125/150
- DuoPal® DP13-125/150
- DuoPal® DP21-125/150
- DuoPal® DP22-125/150
- DuoPal® DP23-125/150

64 AUTOMATIC SACK DISCHARGING

- Minisil®
- Rotasil®
- Vanisil®
- Vacuum sack filler MANS160/1700
- Sack compactor CBU60

48 OCTABIN DISCHARGING

- OctaFlow® 01 Tilting system
- OctaFlow® 02 Dumping system
- OctaFlow® 03 Inverting system

50 SACK MANUAL DISCHARGING

- Sacktop® S 800
- Sacktop® S 1000
- Sacktop® S 1200
- Sacktop® S 1400
- Sacktop® SCOMP 800
- Sacktop® SCOMP 1000
- Sacktop® SCOMP 1200
- Sacktop® SCOMP 1400
- Sacktop® SDP 800
- Sacktop® SDP 1000
- Sacktop® SDP 1200
- Sacktop® SDP 1400
- Sacktop® SCOMPDEP 800
- Sacktop® SCOMPDEP 1000
- Sacktop® SCOMPDEP 1200
- Sacktop® SCOMPDEP 1400
- Sacktop® SE 800-1400
- Sacktop® SECOMP 800-1400
- Sacktop® SEDP 800-1400
- Sacktop® SH800
- Sacktop® SH800P
- Sacktop® SHCOMP 800
- Sacktop® SHDEP 800
- Sacktop® SHCOMPDEP 800

62 SEMI-AUTOMATIC SACK DISCHARGING

- Ergotop® ET900
- Ergotop® ET1000
- Ergotop® ET1200

64 AUTOMATIC SACK DISCHARGING

- Minisil®
- Rotasil®
- Vanisil®

70 DRUM DISCHARGING

- DrumFlow® 01
- DrumFlow® 02
- DrumFlow® 03
- DrumFlow® 04

72 TURBINE VIBRATOR

- OT 08
- OT 10
- OT 10S
- OT 13
- OT 16
- OT 16S
- OT 20
- OT 25
- OT 25S
- OT 30
- OT 36
- OT 36S

73 ELECTRIC VIBRATOR

- MVE
- MICRO
- MVE-M
- MVE-DC
- MVE-S
- MVE-D
- MVE-MILLING

74 VIBRATING BIN AERATOR

- VB-VBI
- VB
- VB-E

75 ANTI-BRIDGING DEVICE

- DEVY

78 DENSE PHASE VACUUM CONVEYING

- VFlow® 01
- VFlow® 02
- VFlow® 03
- VFlow® 04
- VFlow® 05
- VFlow® Detached filter VFDEP
- VFlow® VFDEP02
- VFlow® VFDEP04
- VFlow® VFDEP06
- VFlow® VFDEP08
- VFlow® VFDEP10

86 DILUTE PHASE PRESSURE CONVEYING

- CYS 01
- CYS 02
- CYS 04
- CYS 08
- CYS 15
- CYS 30
- CYS 60

87 DENSE PHASE PRESSURE CONVEYING

- Mini MaxFlo® MMF15
- Mini MaxFlo® MMF30
- Mini MaxFlo® MMF60
- Mini MaxFlo® MMF85
- MaxFlo® MF114
- MaxFlo® MF228
- MaxFlo® MF342
- MaxFlo® MF570
- MaxFlo® MF1428
- MaxFlo® MF2125
- MaxFlo® MF2825
- MaxFlo® MF3500

90 TUBULAR SCREW CONVEYOR

- VIST 100
- VIST 120
- VIST 150
- VIST 200
- VIST 250
- VIST 300
- VIST 350
- VIST 400
- VIST 500

90 EASYCLEAN TUBULAR SCREW CONVEYOR

- EASY 114
- EASY 139
- EASY 168
- EASY 219
- EASY 273
- EASY 323

91 TROUGH SCREW CONVEYOR

- VISA 100
- VISA 120
- VISA 150
- VISA 200
- VISA 250
- VISA 300
- VISA 350
- VISA 400
- VISA 500
- VISA 600

96 SCREW FEEDER

- D10
- D11
- D12
- D13

100 DROP THROUGH ROTARY AIRLOCK VALVE

- ERI 150P
- ERI 200P
- ERI 250P
- ERI 300P

102 BLOW THROUGH ROTARY AIRLOCK VALVE

- ERL 05
- ERL 10
- ERL 15
- ERL 20
- ERL 35

108 CONTINUOUS MIXER - PLOUGH-SHARERS & BLADES

- MRS-C-75
- MRS-C-150
- MRS-C-300
- MRS-C-500
- MRS-C-1000
- MRS-C-1800
- MRS-C-3000
- MRS-C-4800
- MRS-C-6000
- MRS-C-8800
- MRS-C-10500
- MRS-C-15000
- MRS-C-20000
- MRS-C-25000

108 DISCONTINUOUS MIXER - PLOUGH-SHARERS & BLADES

- Bottom hatch 15 models
- MRS-75 to MRS-15000
- 15' hatch 10 models
- MRS15-300 to MRS15-15000
- 60' hatch 10 models
- MRS60-350 to MRS60-15000

110 DISCONTINUOUS MIXER - RIBBON

- Loading by hopper 13 models
- MRR-75 to MRR-15000
- Loading by cuff 13 models
- MRR-C-75 to MRR-C-15000

111 CONTINUOUS MIXER - PRECISES

- BRPC 200
- BRPC 300
- BRPC 400
- BRPC 500

111 DISCONTINUOUS MIXER - PRECISES

- BRP 120
- BRP 250
- BRP 500
- BRP 1000
- BRP 2000

112 DISCONTINUOUS VERTICAL MIXER

- VM 500
- VM 1000
- VM 1500
- VM 2000
- VM 3000
- VM 4000
- VTM 1000
- VTM 1500
- VTM 2000
- VTM 2500
- VTM 3000
- VTM 4000
- VTM 5000

113 DISCONTINUOUS CONICAL SCREW MIXER

- CV50
- CV100
- CV200
- CV300
- CV600
- CV1000
- CV1500
- CV2000
- CV3000
- CV5000

120 VIBRATORY SCREENER SIMPLE DECK

- GSC 450
- GSC 600
- GSC 900
- GSC 1200

122 VIBRATORY SCREENER ON PNEUMATIC CONVEYING LINE

- IGSC-900

126 VIBRATORY SCREENER DOUBLE DECK

- GSC 450 DE
- GSC 600 DE
- GSC 900 DE

126 CENTRIFUGAL SCREENER

- RS 200
- RS 300
- RS 400
- RS 400 XL

128 CENTRIFUGAL SCREENER ON PNEUMATIC CONVEYING LINE

- RS 275

132 LUMP BREAKER

- LC15
- LC50
- EC70
- UM160
- UM315
- UM500

136 GRANULATOR

- GR20
- GR35
- GR50
- GR70

140 GRINDING MILL

- UM160
- UM315
- UM500

144 MILD STEEL/STAINLESS STEEL CONTAINER

- IBC500
- IBC800
- IBC1000
- IBC1200
- IBC1500
- IBC1800
- IBC2000

145 POLYETHYLENE CONTAINERS

- IBCPOV1000
- IBCPOV1800

146 CONTAINER FILLING

- IBCFILL 01

147 CONTAINER DISCHARGING

- IBCFLOW 01

FILL

04 BIG BAG FILLING

FlowMatic® 01	04	FlowMatic® 06	07
FlowMatic® 02	04	FlowMatic® 07	07
FlowMatic® 03	05	FlowMatic® 08	08
FlowMatic® 04	05	FlowMatic® 09	08
FlowMatic® 05-TE	06	FlowMatic® 10	09
FlowMatic® 05-VH	06		

13 VIBRATING TABLE

TVI01	13
-------------	----

14 OCTABIN FILLING

FlowMatic® Octabin OC1	14
FlowMatic® Octabin OC2	14
FlowMatic® Octabin OC3	15

16 SACK, DRUM, CARDBOARD BOX FILLING

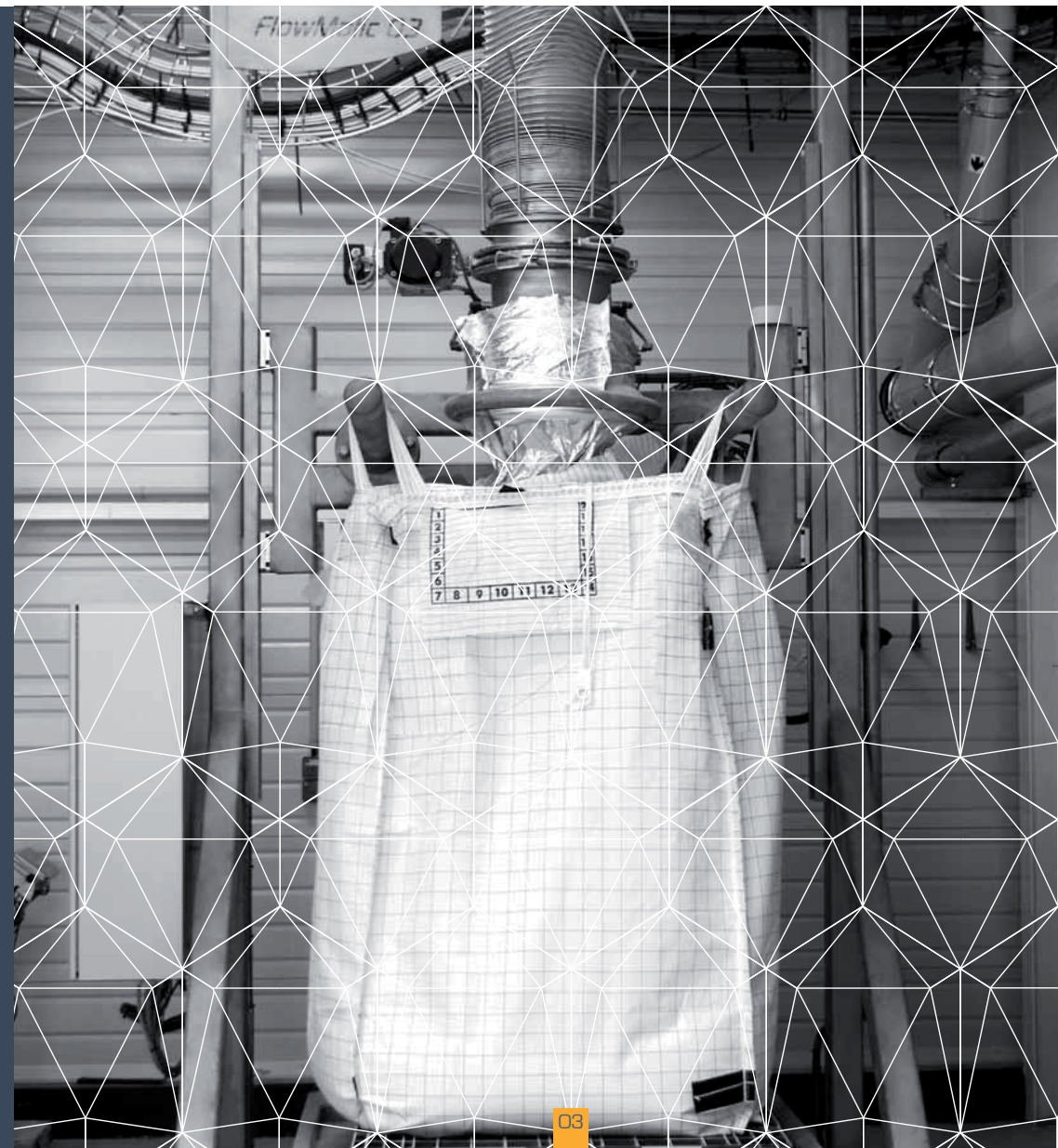
Sack filling		Drum and bucket filling	
PalSack® 01	16	PalDrum® 01	18
Cardboard box filling		PalDrum® 02	18
PalBox® 01	17	PalDrum® 03	19



Complete documentations:

- Big Bag and Octabin Filling
- Sack, Drum, Cardboard Box and Bucket Filling

02



03

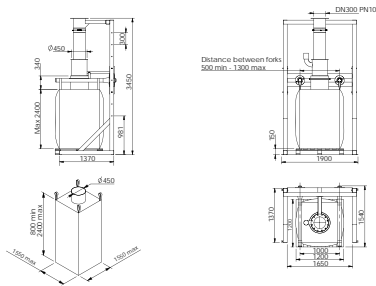
Big Bag Filling

FLOWMATIC® 01

Low cost and safety

FEATURE:

Containment



Rate	10 to 20 big bags/h.
Capacity	2 tons/big bag
Manufacturing materials	Mild steel - SS 304L - SS 316L
Power installed	0.2 kW
Compressed air consumption	0.1 Nm ³ /h.
Dust collecting rate	300 m ³ /h.

www.palamaticprocess.com/powder-machine/fibo-solutions/big-bag-filling-systems

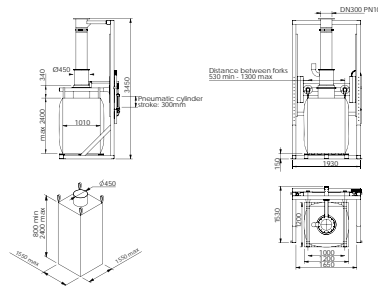
04

FLOWMATIC® 02

Efficiency, containment and packaging efficiency

FEATURES:

Containment | Tension of big bag



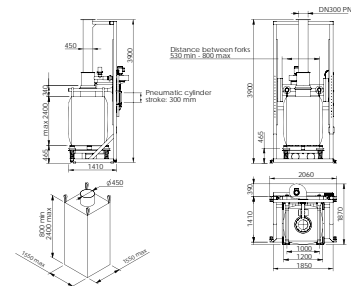
Rate	10 to 20 big bags/h.
Capacity	2 tons/big bag
Manufacturing materials	Mild steel - SS 304L - SS 316L
Power installed	0.2 kW
Compressed air consumption	0.9 Nm ³ /h.
Dust collecting rate	300 m ³ /h.

FLOWMATIC® 03

Dosing and adaptability to packaged materials

FEATURES:

Containment | Tension of big bag | Big bag forming | Weighing | Material densification



Rate	10 to 20 big bags/h.
Capacity	2 tons/big bag
Manufacturing materials	Mild steel - SS 304L - SS 316L
Power installed	3 kW
Compressed air consumption	0.9 Nm ³ /h.
Dust collecting rate	300 m ³ /h.

www.palamaticprocess.com/powder-machine/fibo-solutions/big-bag-filling-systems

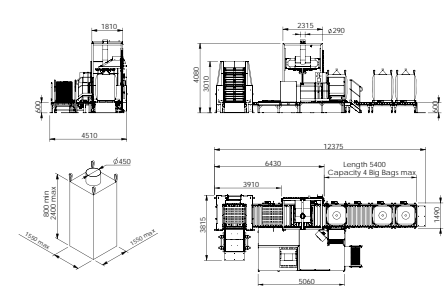
05

FLOWMATIC® 04

High rate and ergonomics

FEATURES:

Containment | Tension of big bag | Big bag forming | Weighing | Automated handling | High rate | Material densification



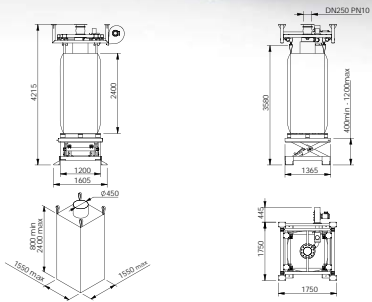
Rate	20 to 30 big bags/h.
Capacity	2 tons/big bag
Manufacturing materials	Mild steel - SS 304L - SS 316L
Power installed	8.7 kW
Compressed air consumption	6.8 Nm ³ /h.
Dust collecting rate	300 m ³ /h.

Big Bag Filling

FLOWMATIC® 05 - TE

Hygiene and ergonomics - Suspended weighing & lifting table

FEATURES:
Containment | Suspended weighing | Big bag forming | Hygienic design



Rate	10 to 20 big bags/h.
Capacity	2 tons/big bag
Manufacturing materials	Mild steel - SS 304L - SS 316L
Power installed	1.6 kW
Compressed air consumption	2.9 Nm ³ /h.
Dust collecting rate	300 m ³ /h.

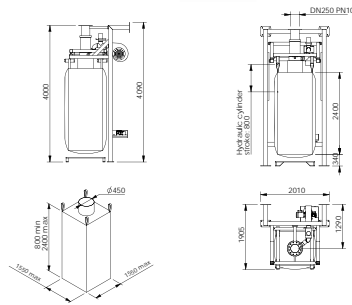
www.palamaticprocess.com/powder-machine/fibo-solutions/big-bag-filling-systems

06

FLOWMATIC® 05 - VH

Hygiene and ergonomics - Suspended weighing & hydraulic cylinder

FEATURES:
Containment | Suspended weighing | Big bag forming | Tension of big bag | Hygienic design

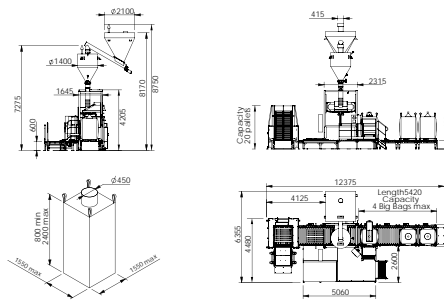


Rate	10 to 20 big bags/h.
Capacity	2 tons/big bag
Manufacturing materials	Mild steel - SS 304L - SS 316L
Power installed	1.6 kW
Compressed air consumption	2.9 Nm ³ /h.
Dust collecting rate	300 m ³ /h.

FLOWMATIC® 06

Very high rate and ergonomics

FEATURES:
Containment | Tension of big bag | Big bag forming | Weighing | Automated handling | Material densification | High rate



Rate	30 to 60 big bags/h.
Capacity	2 tons/big bag
Manufacturing materials	Mild steel - SS 304L - SS 316L
Power installed	8.7 kW
Compressed air consumption	10.2 Nm ³ /h.
Dust collecting rate	600 m ³ /h.

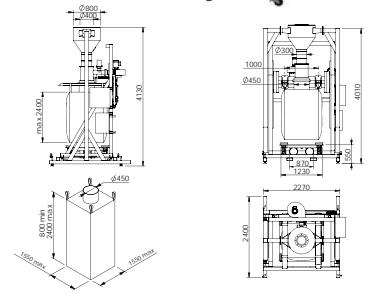
www.palamaticprocess.com/powder-machine/fibo-solutions/big-bag-filling-systems

07

FLOWMATIC® 07

Mobile station & connection under truck loading spout

FEATURES:
Containment | Tension of big bag | Big bag forming | Weighing | Mobile station



Rate	20 to 30 big bags/h.
Capacity	2 tons/big bag
Manufacturing materials	Mild steel - SS 304L - SS 316L
Power installed	1.7 kW
Compressed air consumption	0.9 Nm ³ /h.
Dust collecting rate	300 m ³ /h.

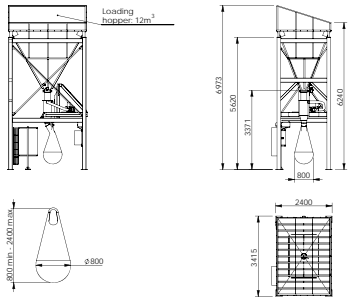
Big Bag Filling

FLOWMATIC® 08

One handle big bag and loading from bulk materials

FEATURES:

Containment | Suspended weighing | Tension of big bag



Rate	20 to 40 big bags/h.
Capacity	2 tons/big bag
Manufacturing materials	Mild steel - SS 304L - SS 316L
Power installed	5.6 kW
Dust collecting rate	300 m ³ /h.

www.palamaticprocess.com/powder-machine/fibo-solutions/big-bag-filling-systems

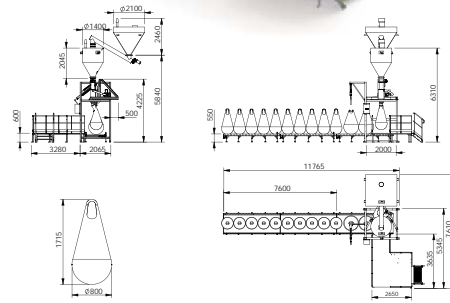
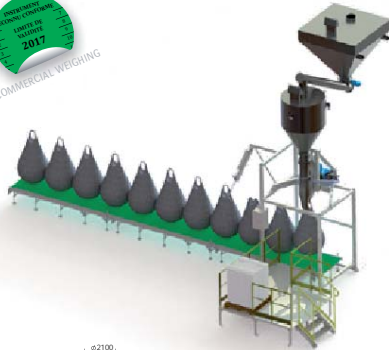
08

FLOWMATIC® 09

One handle big bag and very high rate

FEATURES:

Containment | Suspended weighing | Tension of big bag | Pre-dosing hopper | Automated handling | High rate



Rate	40 to 60 big bags/h.
Capacity	2 tons/big bag
Manufacturing materials	Mild steel - SS 304L - SS 316L
Power installed	7.8 kW
Compressed air consumption	2.1 Nm ³ /h.
Dust collecting rate	600 m ³ /h.

www.palamaticprocess.com/powder-machine/fibo-solutions/big-bag-filling-systems

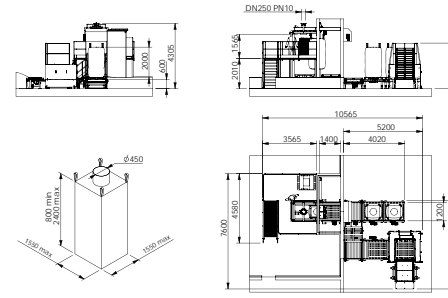
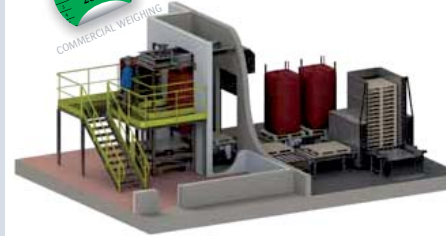
09

FLOWMATIC® 10

High rate and maximum hygiene - Specific conditioning for milk industries

FONCTIONNALITÉS :

Automatic conveyor for bag loading | Conditioning without pallet | Operation in cleanroom, orange and red room | Hygienic design



Rate	10 to 20 big bags/h.
Capacity	2 tons/big bag
Manufacturing materials	Mild steel - SS 304L - SS 316L
Power installed	15 kW
Compressed air consumption	4.9 Nm ³ /h.
Dust collecting rate	300 m ³ /h.

www.palamaticprocess.com/powder-machine/fibo-solutions/big-bag-filling-systems



FlowMatic® 10



FlowMatic® 05-HC

Big Bag Filling

