

Table de nomenclature

| REP. | DESIGNATION (FR)                          | DESIGNATION (ENGLISH)                 | QTE |
|------|---|---------------------------------------|-----|
| 1    | DEPILEUR DE PALETTE                       | PALLET UNSTACKER                      | 1   |
| 2    | TUBE DE CHUTE PRODUIT ET VIS DE DOSAGE    | PRODUCT FILLING TUBE AND DOSING SCREW | 1   |
| 3    | RESERVE DE SAC VIDE                       | EMPTY BAG RESERVE                     | 1   |
| 4    | STATION DE REMPLISSAGE BIG BAG SUR PESONS | FILLING STATION BIG BAG ON LOAD CELLS | 1   |
| 5    | COFFRET DE COMMANDE                       | CONTROL BOX                           | 1   |
| 6    | PLATEFORME OPERATEUR                      | OPERATOR PLATFORM                     | 1   |
| 7    | LIGNE DE CONVOYEUR MOTORISE               | MOTORIZED CONVEYOR LINE               | 1   |

DIMENSION : [inch]  
mm

PLAN D'INFORMATION / INFORMATION DRAWING

PALAMATIC N'AYANT PAS EN CHARGE LE GENIE CIVIL, IL EST DE VOTRE RESPONSABILITE DE VOUS ASSURER DE LA RESISTANCE, DE LA STABILITE ET DE LA PLANEITE DE VOS SUPPORT OU SOLS RECEVANTS NOS EQUIPEMENTS, AUX DIFFERENTS EFFORTS ET CONTRAINTES AUQUELS ILS POURAIENT ETRE SOUMIS.

CIVIL ENGINEERING WORKS ARE NOT INCLUDED IN PALAMATIC'S SCOPE OF SUPPLY. IT IS THE CLIENT'S RESPONSIBILITY TO ENSURE THE STABILITY, RESISTANCE AND FLATNESS OF THE STRUCTURES AND TERRAIN ON WHICH, PALAMATIC'S EQUIPMENT WILL BE MOUNTED. THESE STRUCTURES AND TERRAIN MUST BE ABLE TO WITHSTAND THE DIFFERENT LOADS AND CONSTRAINTS BROUGHT ON BY THESE EQUIPMENTS.

CE PLAN EST LA PROPRIETE DE LA SOCIETE PALAMATIC - IL NE PEUT ETRE COPIE OU UTILISE SANS AUTORISATION

THIS DRAWING IS THE PROPERTY OF THE COMPANY PALAMATIC - IT CANNOT BE COPIED OR USED WITHOUT AUTHORIZATION

Rue de l'Ecotais 02 90 56 20 61  
Z.A. de la Croix Rouge  
35530 BRECE  
CYRIL.PICHARD@PALAMATIC.FR

**Palamatic**

Designation / Name : REMPLISSAGE BIG BAG  
Description : FLOWMATIC 04  
Dessiné par / Drawn by : PICHARD  
Ref. Dossier / Project reference :

Format : Echelle / Scale : A3 1:40  
N° Plan / Drawing number :  
REV: A 1/4

02-04-19 A DIFFUSION CYP  
DATE REV OBSERVATION REVISOR / REVISER

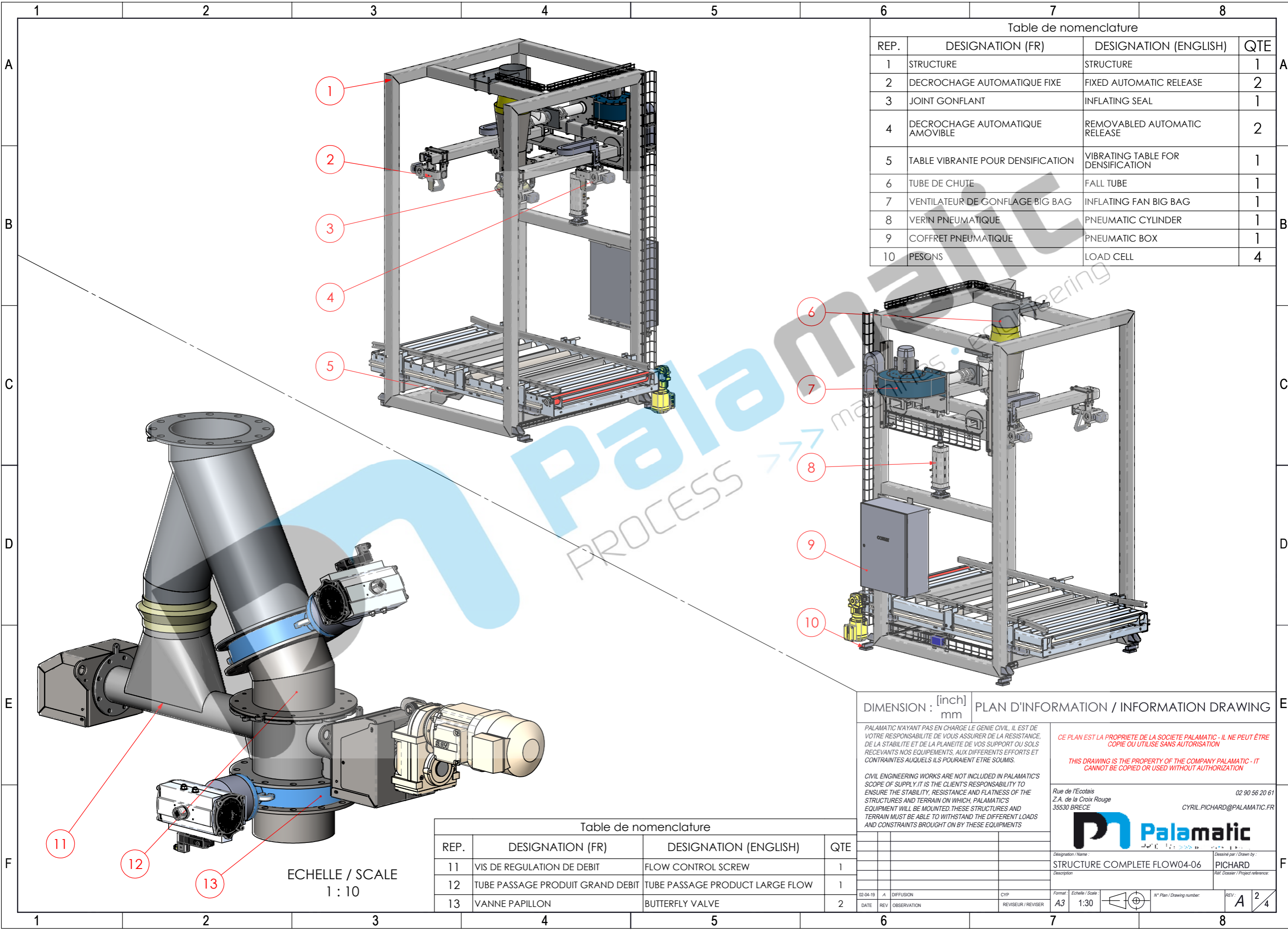


Table de nomenclature

| REP. | DESIGNATION (FR)                  | DESIGNATION (ENGLISH)             | QTE |
|------|-----------------------------------|-----------------------------------|-----|
| 1    | STRUCTURE                         | STRUCTURE                         | 1   |
| 2    | DECROCHAGE AUTOMATIQUE FIXE       | FIXED AUTOMATIC RELEASE           | 2   |
| 3    | JOINT GONFLANT                    | INFLATING SEAL                    | 1   |
| 4    | DECROCHAGE AUTOMATIQUE AMOVIBLE   | REMOVABLE AUTOMATIC RELEASE       | 2   |
| 5    | TABLE VIBRANTE POUR DENSIFICATION | VIBRATING TABLE FOR DENSIFICATION | 1   |
| 6    | TUBE DE CHUTE                     | FALL TUBE                         | 1   |
| 7    | VENTILATEUR DE GONFLAGE BIG BAG   | INFLATING FAN BIG BAG             | 1   |
| 8    | VERIN PNEUMATIQUE                 | PNEUMATIC CYLINDER                | 1   |
| 9    | COFFRET PNEUMATIQUE               | PNEUMATIC BOX                     | 1   |
| 10   | PESONS                            | LOAD CELL                         | 4   |

DIMENSION : [inch] / mm      PLAN D'INFORMATION / INFORMATION DRAWING

*PALAMATIC N'AYANT PAS EN CHARGE LE GENIE CIVIL, IL EST DE VOTRE RESPONSABILITE DE VOUS ASSURER DE LA RESISTANCE, DE LA STABILITE ET DE LA PLANEITE DE VOS SUPPORT OU SOLS RECEVANTS NOS EQUIPEMENTS, AUX DIFFERENTS EFFORTS ET CONTRAINTES AUQUELS ILS POURAIENT ETRE SOUMIS.*

*CE PLAN EST LA PROPRIETE DE LA SOCIETE PALAMATIC - IL NE PEUT ETRE COPIE OU UTILISE SANS AUTORISATION*

*THIS DRAWING IS THE PROPERTY OF THE COMPANY PALAMATIC - IT CANNOT BE COPIED OR USED WITHOUT AUTHORIZATION*

*CIVIL ENGINEERING WORKS ARE NOT INCLUDED IN PALAMATIC'S SCOPE OF SUPPLY. IT IS THE CLIENT'S RESPONSIBILITY TO ENSURE THE STABILITY, RESISTANCE AND FLATNESS OF THE STRUCTURES AND TERRAIN ON WHICH, PALAMATIC'S EQUIPMENT WILL BE MOUNTED. THESE STRUCTURES AND TERRAIN MUST BE ABLE TO WITHSTAND THE DIFFERENT LOADS AND CONSTRAINTS BROUGHT ON BY THESE EQUIPMENTS*

Rue de l'Écolais 02 90 56 20 61  
Z.A. de la Croix Rouge  
35530 BRECE  
CYRIL.PICHARD@PALAMATIC.FR

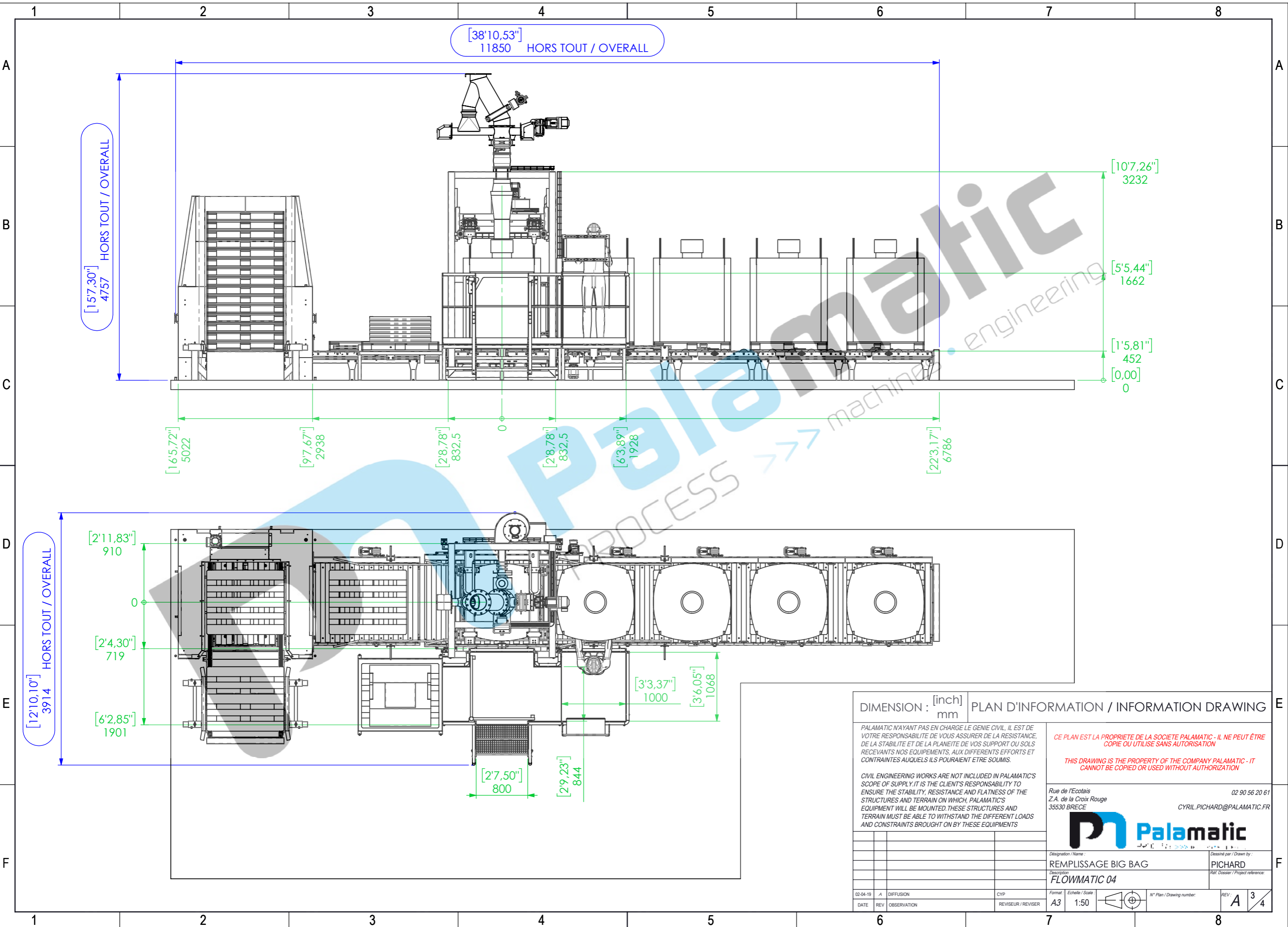


Table de nomenclature

| REP. | DESIGNATION (FR)                 | DESIGNATION (ENGLISH)           | QTE |
|------|----------------------------------|---------------------------------|-----|
| 11   | VIS DE REGULATION DE DEBIT       | FLOW CONTROL SCREW              | 1   |
| 12   | TUBE PASSAGE PRODUIT GRAND DEBIT | TUBE PASSAGE PRODUCT LARGE FLOW | 1   |
| 13   | VANNE PAPILLON                   | BUTTERFLY VALVE                 | 2   |

ECHELLE / SCALE  
1 : 10

|          |     |             |                   |                           |           |                           |              |
|----------|-----|-------------|-------------------|---------------------------|-----------|---------------------------|--------------|
| 02-04-19 | A   | DIFFUSION   | CYP               | Format / Echelle / Scale: | A3 / 1:30 | N° Plan / Drawing number: | REV: A 2 / 4 |
| DATE     | REV | OBSERVATION | REVISER / REVISER |                           |           |                           |              |



DIMENSION : [inch] / mm PLAN D'INFORMATION / INFORMATION DRAWING

PALAMATIC N'AYANT PAS EN CHARGE LE GENIE CIVIL, IL EST DE VOTRE RESPONSABILITE DE VOUS ASSURER DE LA RESISTANCE, DE LA STABILITE ET DE LA PLANEITE DE VOS SUPPORT OU SOLS RECEVANTS NOS EQUIPEMENTS, AUX DIFFERENTS EFFORTS ET CONTRAINTES AUQUELS ILS POURAIENT ETRE SOUMIS.

CIVIL ENGINEERING WORKS ARE NOT INCLUDED IN PALAMATIC'S SCOPE OF SUPPLY. IT IS THE CLIENT'S RESPONSIBILITY TO ENSURE THE STABILITY, RESISTANCE AND FLATNESS OF THE STRUCTURES AND TERRAIN ON WHICH, PALAMATIC'S EQUIPMENT WILL BE MOUNTED. THESE STRUCTURES AND TERRAIN MUST BE ABLE TO WITHSTAND THE DIFFERENT LOADS AND CONSTRAINTS BROUGHT ON BY THESE EQUIPMENTS

CE PLAN EST LA PROPRIETE DE LA SOCIETE PALAMATIC - IL NE PEUT ETRE COPIE OU UTILISE SANS AUTORISATION  
THIS DRAWING IS THE PROPERTY OF THE COMPANY PALAMATIC - IT CANNOT BE COPIED OR USED WITHOUT AUTHORIZATION

Rue de l'Écolais 02 90 56 20 61  
Z.A. de la Croix Rouge  
35530 BRECE  
CYRIL.PICHARD@PALAMATIC.FR

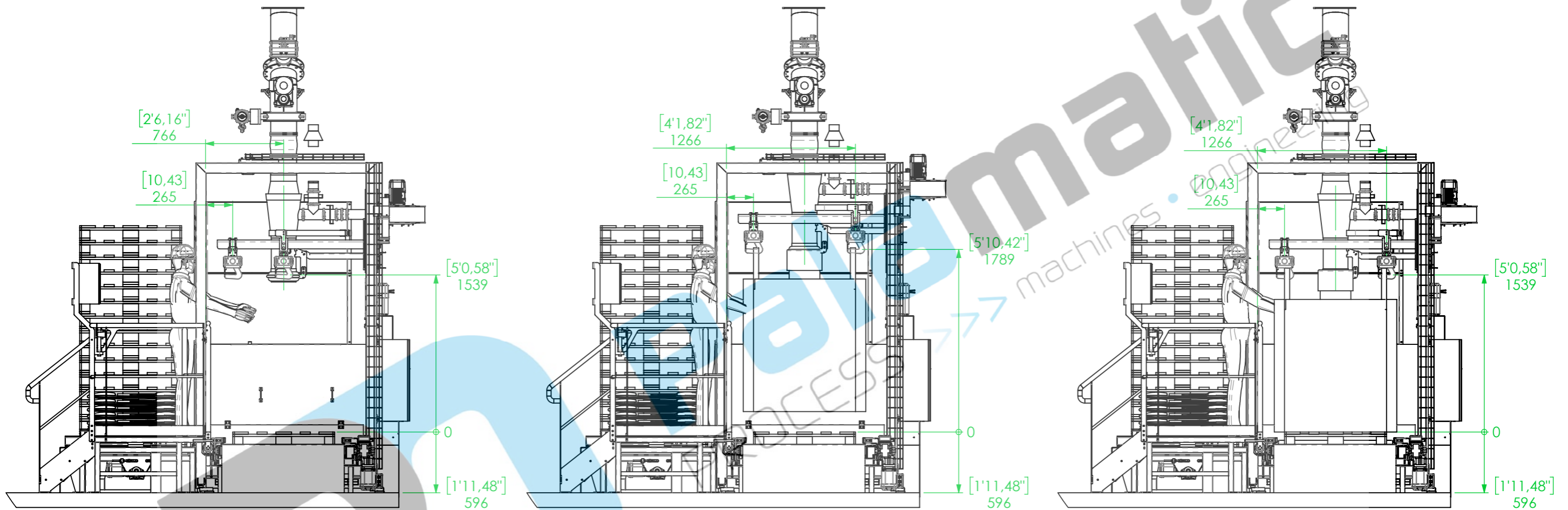


|                      |                   |                                    |                   |
|----------------------|-------------------|------------------------------------|-------------------|
| Designation / Name : |                   | Dessiné par / Drawn by :           |                   |
| REPLISSAGE BIG BAG   |                   | PICHARD                            |                   |
| Description :        |                   | Ref. Dossier / Project reference : |                   |
| FLOWMATIC 04         |                   |                                    |                   |
| Format :             | Echelle / Scale : | N° Plan / Drawing number :         | REV :             |
| A3                   | 1:50              |                                    | A 3/4             |
| 02-04-19             | A                 | DIFFUSION                          | CYP               |
| DATE                 | REV               | OBSERVATION                        | REVISER / REVISER |

MISE EN PLACE BIG BAG / SETTING UP BIG BAG

REPLISSAGE BIG BAG / BIG BAG FILLING

LARGAGE DU BIG BAG ET FERMETURE DE LA MANCHETTE /  
LARGAGE OF THE BIG BAG AND CLOSURE OF THE CUFF



|  |     |   |                   |
|--|-----|---|-------------------|
| DIMENSION : [inch]<br>mm   |     | PLAN D'INFORMATION / INFORMATION DRAWING  |                   |
| <p>PALAMATIC N'AYANT PAS EN CHARGE LE GENIE CIVIL, IL EST DE VOTRE RESPONSABILITE DE VOUS ASSURER DE LA RESISTANCE, DE LA STABILITE ET DE LA PLANEITE DE VOS SUPPORT OU SOLS RECEVANTS NOS EQUIPEMENTS, AUX DIFFERENTS EFFORTS ET CONTRAINTES AUQUELS ILS POURAIENT ETRE SOUMIS.</p> <p>CIVIL ENGINEERING WORKS ARE NOT INCLUDED IN PALAMATIC'S SCOPE OF SUPPLY. IT IS THE CLIENT'S RESPONSIBILITY TO ENSURE THE STABILITY, RESISTANCE AND FLATNESS OF THE STRUCTURES AND TERRAIN ON WHICH, PALAMATIC'S EQUIPMENT WILL BE MOUNTED. THESE STRUCTURES AND TERRAIN MUST BE ABLE TO WITHSTAND THE DIFFERENT LOADS AND CONSTRAINTS BROUGHT ON BY THESE EQUIPMENTS</p> |     | <p>CE PLAN EST LA PROPRIETE DE LA SOCIETE PALAMATIC - IL NE PEUT ÊTRE COPIÉ OU UTILISÉ SANS AUTORISATION</p> <p>THIS DRAWING IS THE PROPERTY OF THE COMPANY PALAMATIC - IT CANNOT BE COPIED OR USED WITHOUT AUTHORIZATION</p> |                   |
| <p>Rue de l'Écolais<br/>Z.A. de la Croix Rouge<br/>35530 BRECE</p>   |     | <p>02 90 56 20 61<br/>CYRIL.PICHARD@PALAMATIC.FR</p>  |                   |
| <p>Designation / Name :<br/>REPLISSAGE BIG BAG</p>   |     | <p>Dessiné par / Drawn by :<br/>PICHARD</p>   |                   |
| <p>Description :<br/>FLOWMATIC 04</p>  |     | <p>Ref. Dossier / Project reference:</p>  |                   |
| 02-04-19   | A   | DIFFUSION   | CYP               |
| DATE   | REV | OBSERVATION   | REVISER / REVISER |
| <p>Format / Echelle / Scale :<br/>A3 1:40</p>  |     | <p>N° Plan / Drawing number :<br/>REV: A 4/4</p>  |                   |